

Overview

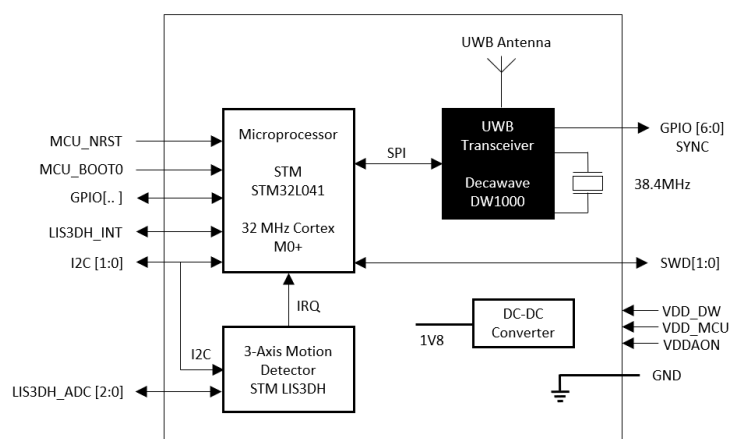
- The DWM1004C is specifically designed for TDoA tag applications but flexible enough to be used in a variety of UWB scenarios. The DWM1004C is an ideal TDoA tag solution ready for production
- The module integrates a Multiband UWB antenna, RF circuitry, STM32L041G6U6S Cortex-M0+ with AES and a LIS3DH motion sensor for smart power management and adaptive blink rate
- The DWM1004C module is based on Decawave's DW1000 Ultra Wideband (UWB) transceiver IC, which is an IEEE 802.15.4-2011 UWB implementation
- Decawave open source TDoA Tag firmware (Keil and Eclipse) supporting configurable adaptive blink rate motion detection support
- Typical LoS range point-to-point: CH2 60m, CH5 40m
- Deep Sleep mode current <4uA
- Battery life >2 years using 500mAh battery, TDoA blink @0.2Hz
- ISED/IC: 23794-DWM1004 CH5 Only and FCC ID: 2AQ33-DWM1004 CH2 and CH5
- Small form factor 31mm x 16.5mm, castellation pitch 1.27mm
- Recommended sale price is \$9.95 in 10k quantities



DWM1004C Module

Target Applications

- TDoA Tag for CH2 and CH5
- General purpose module for RTLS systems



Features

Hardware:

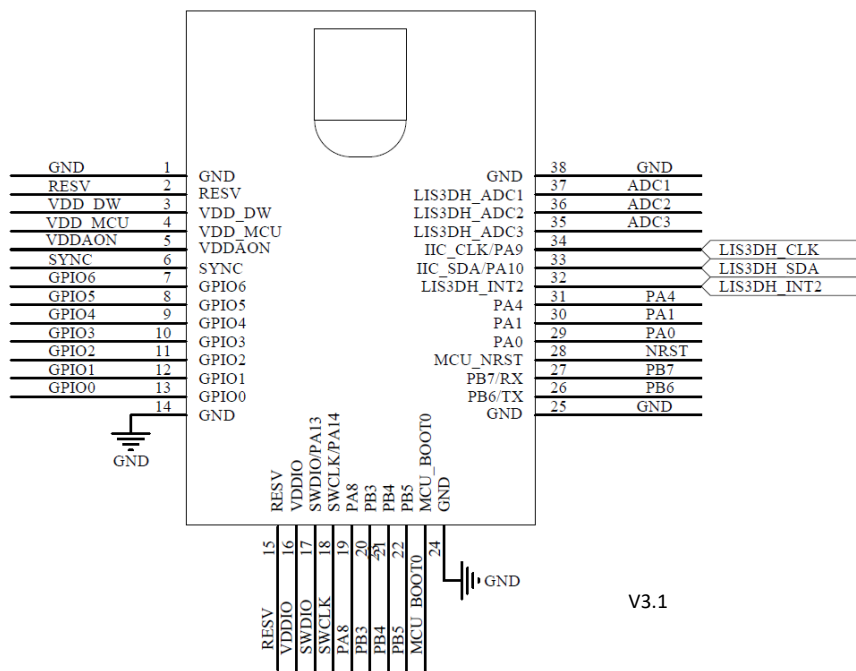
- Low cost module for high volume industrial applications
- Low-power hardware design and software architecture
- Designed for TDoA but flexible for any UWB applications
- Full RF design validated, tested and calibrated

Certification (planned):

- 2 UWB frequency bands, CH2, 4GHz and CH5, 6.5GHz
- 6.8 Mbit/s data rate, PRF64MHz, Preamble 128us

Firmware:

- TDoA Tag source code, CH2 and CH5, 6.8Mbps data rate
- Configurable adaptive blink rate accelerometer support
- Production test and certification source code provided
- Simple TWR code example provided
- Keil and Eclipse based projects



For technical support visit our Forum at www.decawave.com/decaforum

Every effort has been made to ensure that the information contained in this document is correct. However, the information is provisional and subject to change. The specification is “as is” and Decawave makes no warranty and disclaims all warranties expressed or implied. Decawave accepts no liability whether statutory related or implied for any inaccuracy, omission, incompleteness or error of any kind. The DWM1004C module, as supplied by Decawave, has not been certified for use in any particular geographic region by any regulatory body governing radio emissions in such regions. The DWM1004C module is supplied under the following conditions (i) the distribution and sale of the DWM1004C module is intended solely for use in the development of devices which may be subject to regulations or other authority governing radio emissions. (ii) this DWM1004C module may not be resold by users for any purpose. (iii) the DWM1004C module as supplied by Decawave may not be incorporated directly into user devices or products unless such products undergo the appropriate certification. (iv) operation of the DWM1004C module in the development of future devices is at the discretion of the user and the user bears all responsibility for any compliance with regulations laid down by the authority governing radio emissions in the user’s jurisdiction.