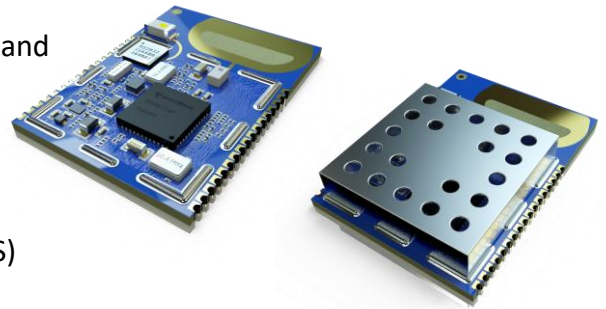


**Overview**

- UWB and *Bluetooth*® module based on Decawave’s DW1000 IC and Nordic Semiconductor nRF52832 SoC
- On board motion sensor and integrated antennas
- Embedded firmware available enabling:
  - Accurate UWB-based Real-Time Location Systems (RTLS)
  - Data encrypted network connectivity


**DWM1001 Module**
**Benefits**

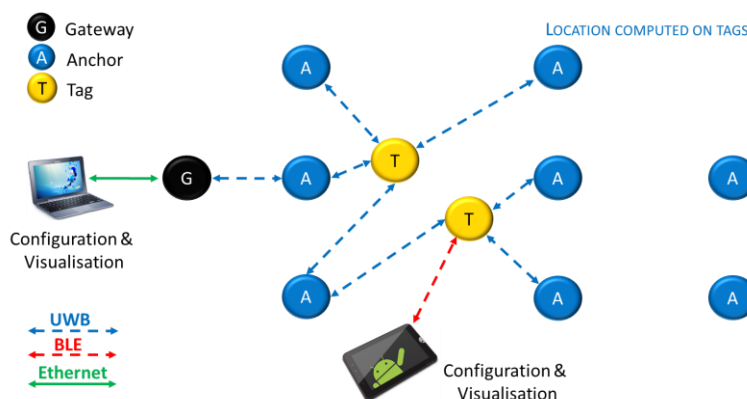
- Build scalable Two-Way-Ranging (TWR) RTLS systems with up to thousands of tags
- Accelerates product designs for faster time-to-market & reduced development costs
- Same module for anchor, tag and gateway designs
- No RF design required
- Embedded DRTLS firmware (DWM1001 SS-TWR RTLS) reduces software development effort
  - Firmware API to customise embedded user application
  - SPI, UART and *Bluetooth*® APIs to access DWM1001 from an external device
- On-board *Bluetooth*® for connectivity to phones/tablets
- Low-power hardware and software architecture for longer battery life
- Certified for FCC, ISED and ETSI

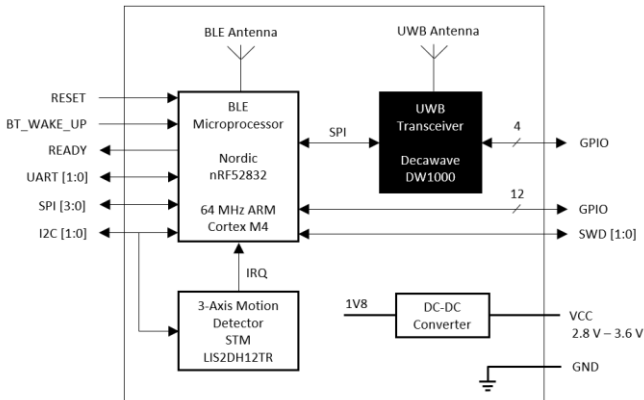
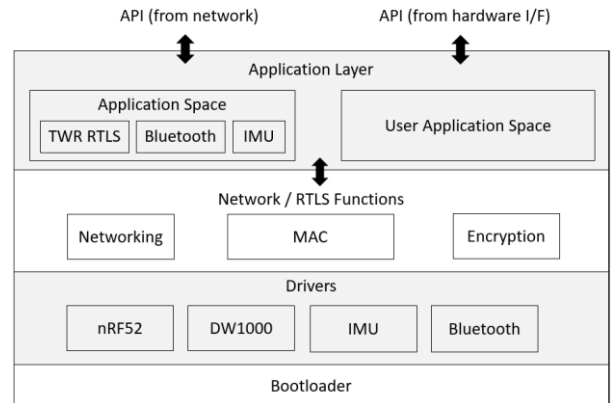
**Example Applications**

- Industrial (asset-tracking, factory automation)
- Healthcare (locate assets, patients & staff)
- Retail (security, navigation, customer analytics)
- Consumer (connected home, sports analytics)

**Complementary Products**

- DWM1001-Dev: Development board for evaluating and programming the module
- MDEK1001: Development and evaluation kit with 12 units


**DWM1001-Based System Architecture**

**Technical Data**
**Hardware Features**

**Software Features**


- Decawave DW1000 UWB transceiver
  - IEEE802.15.4-2011 compliant
- UWB PCB antenna (6.5 GHz centre frequency)
- 6.8 Mbps frame data encoding
- Point to point range: up to 60m (line-of-sight)
- Nordic Semiconductor nRF52832 SoC
  - ARM Cortex M4F, 512K Flash
- *Bluetooth*<sup>®</sup> chip antenna
- 3-axis accelerometer: STM LIS2DH12TR
- Low power - Sleep mode: <5µA
- Supply voltage: 2.8 V to 3.6 V
- 19.125 mm x 26.125 mm x 2.6 mm
- 34 x 1 mm pitch side castellations
- Serial Wire Debug (SWD)
- External Interfaces:
  - SPI slave, I2C, UART
  - I2S Audio
  - NFC Ready
  - GPIOs
  - Bluetooth Wakeup

- PANS firmware:
  - Complete RTLS & network stack – configurable into anchor, tag or bridge nodes
  - User options for partial or full re-flash
  - Location Engine on tag
  - BLE and UWB Over-the-air firmware updates
- Application code:
  - Two-Way-Ranging (TWR) RTLS
  - Application memory area for custom code
- Configuration via *Bluetooth*<sup>®</sup> or SPI/UART commands
- MAC layer:
  - Resource allocation, frame & slot timing
- Wireless network:
  - Discovery, joining, leaving, and scaling
  - Re-configuration and management from cloud
- Security:
  - AES encryption of UWB packets
- API access to firmware:
  - Nordic nRF52832 peripherals (GPIOs, I2C)


**Get Started:**

- Learn more at: [www.decawave.com/products](http://www.decawave.com/products)
- Download the RTLS SW at [www.decawave.com/product/dwm1001-module/](http://www.decawave.com/product/dwm1001-module/)

**Join the community:**

- [www.decawave.com/decaforum/](http://www.decawave.com/decaforum/)

Every effort has been made to ensure that the information contained in this document is correct. However the information is provisional and subject to change. The specification is "as is" and Decawave makes no warranty and disclaims all warranties expressed or implied. Decawave accepts no liability whether statutory related or implied for any inaccuracy, omission, incompleteness or error of any kind.

This information is © Decawave Ltd. 2017 and may not be copied, reproduced, or issued to any third party except to those with a need-to-know for the purpose noted above. All Rights Reserved.